

LIGHT FIXTURE SCHEDULE				
TYPE	SYMBOL	DESCRIPTION	MANUFACTURER	REFERENCE CATALOG #
A		2X4 LED RECESSED TROFFER. 37W, 4677 LUMENS, 3500K CCT, 80 CRI. 0-10V DIMMING.	LITHONIA	CPX 2X4 AL08 SWW7
AE		2X4 LED RECESSED TROFFER. 37W, 4677 LUMENS, 3500K CCT, 80 CRI. 0-10V DIMMING. PROVIDE 90 MIN BATTERY BACKUP.	LITHONIA	CPX 2X4 AL08 SWW7 IE10WCP
C		6" LED RECESSED DOWNLIGHT. 13W, 1378 LUMENS, 3500K CCT. IC RATED, 0-10V DIMMING.	LITHONIA	LBR6 NCH AL02 SWW1 AR LSS WD MVOLT UGZ
CE		6" RECESSED LED DOWNLIGHT. 13W, 1378 LUMENS, 3500K CCT. IC RATED, 0-10V DIMMING. 90 MIN BATTERY BACKUP.	LITHONIA	LBR6 NCH AL02 SWW1 AR LSS WD MVOLT UGZ E10WCP
EX		LED EXIT SIGN, BRUSHED ALUMINUM FACE WITH RED LETTERS. UNIVERSAL FACE AND MOUNTING. 90 MIN BATTERY BACKUP.	LIFESAFETY LIGHTING	LSXDC 3 R B A EM SDT
LE		4' LED VANITY FIXTURE 24W, 2288 LUMENS, 4000K CT, 80 CRI. 0-10V DIMMING. PROVIDE 90 MIN BATTERY BACKUP.	LITHONIA	ACLSWT M4 DLS 40 U HE M5 B 1 D E1 Q
W		EXTERIOR LED WALL PACK. 47W, 5896 LUMENS, 4000K CCT. WET LOCATION.	LITHONIA	WPX2 LED 40K MVOLT DBLXD

GENERAL NOTES:  
EQUIVALENT ALTERNATE LIGHT FIXTURES MAY BE PROVIDED FOR BIDDING PURPOSES. THE ENGINEER DOES NOT TAKE RESPONSIBILITY FOR ENSURING ALTERNATE LIGHT FIXTURES USED FOR BIDDING ARE EQUAL. THE CONTRACTOR SHALL BE RESPONSIBLE FOR ENSURING ALTERNATE FIXTURES ARE EQUIVALENT TO THOSE SPECIFIED PRIOR TO BID. THE WINNING BID PACKAGE SHALL BE SUBMITTED TO THE ENGINEER FOR REVIEW IN ACCORDANCE WITH THE SPECIFICATIONS.

ELECTRICAL ABBREVIATIONS			
AC	ABOVE COUNTERTOP	MC	MECHANICAL CONTRACTOR
AFB	ABOVE FINISH FLOOR	MCA	MINIMUM CIRCUIT AMPS
AFG	ABOVE FINISH GRADE	MDP	MAIN DISTRIBUTION PANEL
ANNC	ANNUNCIATOR	MTD	MOUNTED
CC	CONTROLS CONTRACTOR	NIC	NOT IN CONTRACT
DF	DRINKING FOUNTAIN	OCC	OCCUPANCY
EC	ELECTRICAL CONTRACTOR	PC	PLUMBING CONTRACTOR
EF	EXHAUST FAN	PNL	PANEL
EX	EXISTING	SPST	SINGLE POLE SINGLE THROW
EXR	EXISTING RELOCATED	TTB	TELEPHONE TERMINAL BOARD
GC	GENERAL CONTRACTOR	TYP	TYPICAL
GFI	GROUND FAULT INTERRUPT	WG	WIRE GUARD
HP	HORSEPOWER	WP	WEATHER PROOF
IBC	INTERNATIONAL BUILDING CODE	20A	20 AMP
IG	ISOLATED GROUND	ø	PHASE
LV	LOW VOLTAGE	3W	3 WIRE
LVRP	LV RELAY PANEL	1P20A	SINGLE POLE 20 AMP

GENERAL ELECTRICAL NOTES	
1.	CONTRACTOR TO VERIFY EXISTING ELECTRICAL CONDITIONS AND NOTIFY ARCHITECT/ENGINEER OF ANY ELECTRICAL OR CODE ISSUES PRIOR TO BID. CONTRACTOR IS RESPONSIBLE FOR PROVIDING A COMPLETE AND OPERATIONAL CODE COMPLIANT SYSTEM.
2.	ALL WORK SHALL BE IN CONFORMANCE WITH NATIONAL, STATE, AND LOCAL CODES AND/OR ORDINANCES.
3.	ELECTRICAL CONTRACTOR SHALL COORDINATE WORK WITH ALL OTHER CONTRACTORS & LOCAL UTILITY. E.G. SHALL CONTACT LOCAL UTILITY FOR EXACT SERVICE REQUIREMENTS TO INCLUDE BUT NOT LIMITED TO TRANSFORMER, METERING AND CABLING. LOCAL UTILITY REQUIREMENTS SUPERSEDE DRAWINGS AND SPECIFICATIONS.
4.	SEE ARCHITECTURAL AND MECHANICAL DRAWINGS FOR ADDITIONAL REQUIREMENTS.
5.	ELECTRICAL DRAWINGS ARE DIAGRAMMATIC ONLY. THEY ARE INTENDED TO GIVE APPROXIMATE LOCATIONS AND OVERALL DESIGN INTENT. THE ELECTRICAL CONTRACTOR SHALL BE RESPONSIBLE FOR PRODUCTS, MATERIALS, AND ELECTRICAL METHODS WHICH HAVE NOT BEEN SHOWN OR INDICATED BUT ARE REQUIRED FOR A COMPLETE SYSTEM TO THE STANDARDS OF THE INDUSTRY.
6.	INSTALL LIGHTING FIXTURES IN ACCORDANCE WITH MANUFACTURER'S RECOMMENDATIONS. PROVIDE SUPPORTING DEVICES FOR ADEQUATE SUPPORT OF FIXTURES FROM STRUCTURE.
7.	UPON COMPLETION OF THE ELECTRICAL WORK, THE INSTALLATION SHALL BE TESTED FOR CONTINUITY, GROUNDS, AND SHORT CIRCUITS. THE ELECTRICAL CONTRACTOR SHALL DEMONSTRATE PROPER PERFORMANCE OF ALL SYSTEMS. ALL DEFECTIVE WORK OR MATERIALS SHALL BE REPLACED OR REPAIRED AS NECESSARY AND RETESTED.
8.	ELECTRICAL RACEWAYS THAT PENETRATE FIRE RATED ASSEMBLIES SHALL BE SLEEVED AND SEALED AS PER THE LOCAL BUILDING CODE.

SWITCH LEGEND	
SYMBOL	DESCRIPTION
	20A, 120/277V SPST SWITCH
	20A, 120/277V LETTER INDICATES GROUP
	20A, 120/277V 3-WAY
	20A, 120/277V 4-WAY
	DIMMER SWITCH
	KEY OPERATED SWITCH
	OCCUPANCY SENSOR SWITCH

GENERAL NOTE:  
SEE SPECIFICATIONS FOR MANUFACTURERS

OCC SENSOR SCHEDULE	
SYMBOL	DESCRIPTION
	MULTI-TECHNOLOGY, CEILING MOUNTED OCCUPANCY SENSOR CAPABLE OF DISABLING AUTO ADAPTING FEATURE. PROVIDE WITH RELAY/POWER PACKS AS REQUIRED PER PLAN. (LOW VOLTAGE)

GENERAL NOTES:  
1. E.C. SHALL CONTACT ARCHITECT FOR COLOR SELECTION PRIOR TO ORDER OF ANY SENSOR.  
2. FOR CEILING SPACES 14 FT. A.F.F. PIR TYPE CEILING MOUNTED SENSORS SHALL BE USED.  
3. WALL MOUNTED DEVICES TO MATCH MANUAL LIGHTING CONTROL.

RECEPTACLE SCHEDULE	
SYMBOL	DESCRIPTION
	DUPLEX RECEPTACLE
	20A, 120V, 2P, 3W GROUNDING DUPLEX GFCI RECEPTACLE - WEATHER PROOF (IN USE COVER)
	QUADPLEX RECEPTACLE

GENERAL NOTE:  
SEE SPECIFICATIONS FOR MANUFACTURERS

ELECTRICAL LEGEND	
	PANEL BOARD
	DISTRIBUTION PANEL BOARD
	TRANSFORMER
	UTILITY METER
	SEPARATE CIRCUIT BREAKER
	DISCONNECT
	FUSED DISCONNECT SWITCH
	EMERGENCY FUSED DISCONNECT SWITCH
	MOTOR STARTER/CONTRACTOR
	COMBINATION MOTOR STARTER
	PUSH BUTTON STATION AS NOTED
	PULL BOX, SIZE AS REQUIRED BY CODE
	ELECTRICAL CONNECTION
	MOTOR CONNECTION
	HOME RUN TO PANEL BOARD

ELECTRICAL SHEET INDEX	
E000	ELECTRICAL TITLE SHEET
E001	ELECTRICAL SITE PLAN
E101	ELECTRICAL LIGHTING PLAN
E201	ELECTRICAL POWER PLAN
E202	ELECTRICAL POWER PLAN - ROOF
E401	ELECTRICAL ONE-LINE DIAGRAM AND SCHEDULES
E501	ELECTRICAL DETAILS SHEET

**AGP**  
the Abila Griffin  
Partnership L.L.C.

201 N. BROADWAY  
SUITE 210  
MOORE, OK. 73160  
405.735.3477  
AGP@theAGP.net  
www.theAGP.net

KFC ENGINEERING  
STRUCTURAL

SALAS O'BRIEN  
MECHANICAL / ELECTRICAL



GT

drawn by

TVO

checked by

SEPTEMBER 2023

date

revisions

MOORE PUBLIC SCHOOLS  
BOARD OF EDUCATION  
MOORE, OKLAHOMA



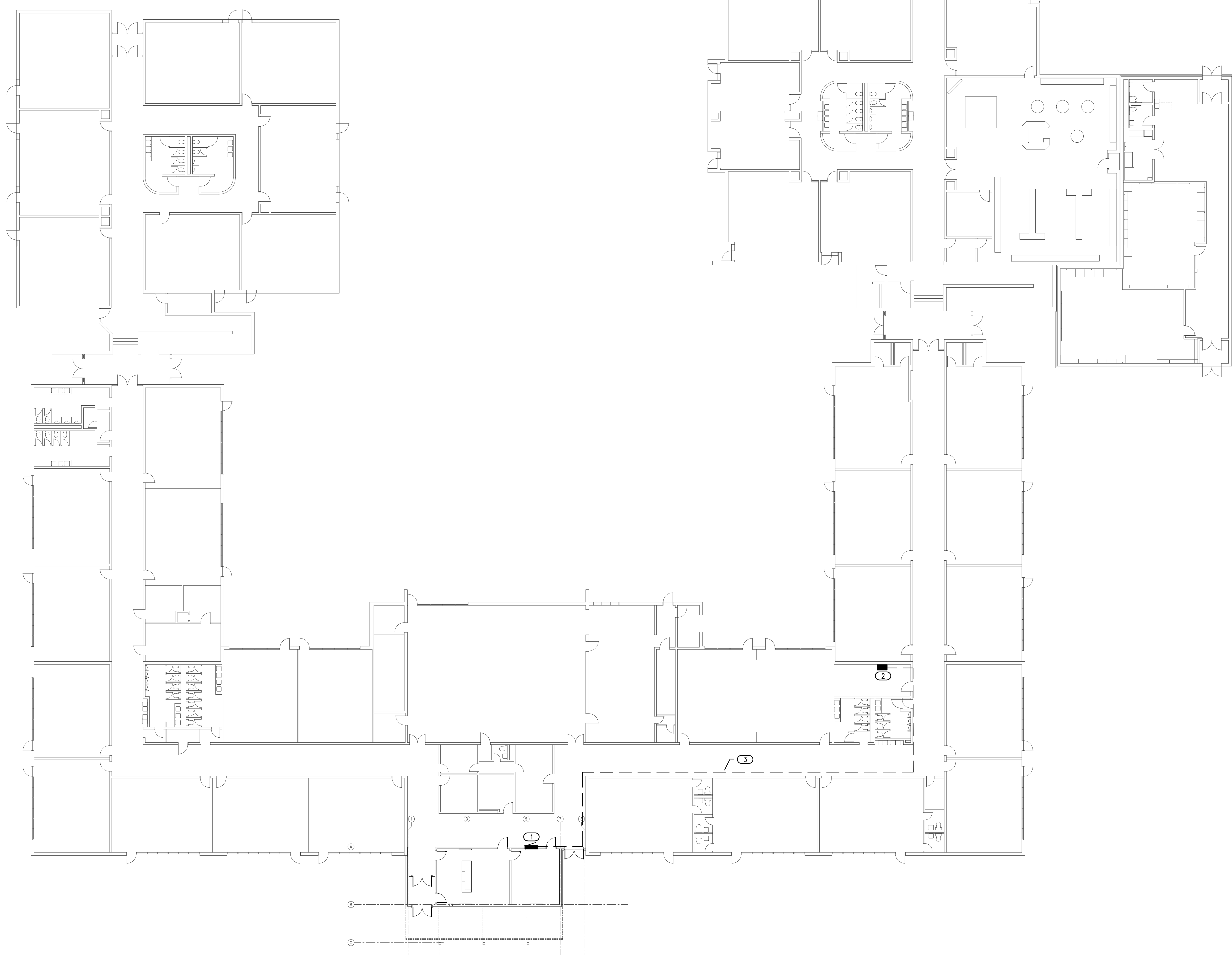
OFFICE ADDITION  
FAIRVIEW  
ELEMENTARY SCHOOL

sheet no:

**E000**

**Salas O'Brien**  
2800 Van Buren St., Suite 2635  
Norman, OK 73072  
Salas O'Brien Registration: CA# 7058  
Expiration Date: 6/30/2025  
Salas O'Brien Project Number: 2023-04386-00

OWNERSHIP USE OF DOCUMENTS:  
AGP EXPRESSLY RESERVES ITS COPYRIGHT AND OTHER PROPERTY RIGHTS OF ALL PLANS AND DRAWINGS DESIGNED AND/OR PRODUCED. PLANS AND DRAWINGS ARE NOT TO BE REPRODUCED IN ANY FORM OR MANNER WITHOUT THE EXPRESSED WRITTEN CONSENT OF AGP.



**GENERAL NOTES**

1. PANEL AND BREAKER INFORMATION IS BASED ON EXISTING CONDITIONS AT THE TIME OF SITE INVESTIGATION. EC SHALL FIELD VERIFY PANEL NAMES, LOCATIONS, SPACES, ETC. AND MAKE ANY CHANGES NECESSARY TO COMPLETE WORK.
2. EC SHALL COORDINATE WITH OWNER FOR FINAL CONDUIT AND RECEPTACLE LOCATIONS.
3. EACH CIRCUIT SHALL BE PROVIDED A 20A BREAKER FROM RESPECTIVE SOURCE PANEL.

**KEYED NOTES**

- 1 APPROXIMATE LOCATION OF NEW PANEL 'L'. REFER TO SHEET E401 FOR ADDITIONAL INFORMATION REGARDING NEW CONNECTIONS.
- 2 APPROXIMATE LOCATION OF EXISTING PANEL 'M2'. PROVIDE NEW 60A/3PH BREAKER TO SERVE NEW PANEL 'L'. REFER TO SHEET E401 FOR ADDITIONAL INFORMATION REGARDING NEW CONNECTIONS.
- 3 PROPOSED CONDUIT FEED FOR NEW SUBPANEL 'L' FROM EXISTING 'M2'. COORDINATE EXACT CONDUIT ROUTE WITH ARCHITECT, CIVIL, AND OTHER TRADES PRIOR TO ROUGH-IN. REFER TO SHEET E401 FOR WIRE AND CONDUIT SIZE AND FOR ADDITIONAL INFORMATION REGARDING NEW CONNECTIONS.

**AGP**  
the Abla Griffin  
Partnership L.L.C.

201 N. BROADWAY  
SUITE 210  
MOORE, OK. 73160  
405.735.3477  
AGP@theAGP.net  
www.theAGP.net

KFC ENGINEERING  
STRUCTURAL

SALAS O'BRIEN  
MECHANICAL / ELECTRICAL



GT  
drawn by  
TVO  
checked by  
SEPTEMBER 2023  
date  
revisions

MOORE PUBLIC SCHOOLS  
BOARD OF EDUCATION  
MOORE, OKLAHOMA



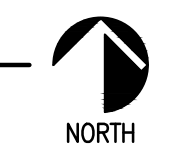
OFFICE ADDITION  
FAIRVIEW  
ELEMENTARY SCHOOL

sheet no:

**E001**

**1 ELECTRIC SITE PLAN**  
SCALE: 1/16" = 1'-0"

**Salas O'Brien**  
2600 Van Buren St., Suite 2635  
Norman, OK 73072  
Salas O'Brien Registration: CA# 7058  
Expiration Date: 6/30/2025  
Salas O'Brien Project Number: 2023-04386-00



OWNERSHIP USE OF DOCUMENTS:  
AGP EXPRESSLY RESERVES ITS  
COPYRIGHT AND OTHER PROPERTY  
RIGHTS OF ALL PLANS AND DRAWINGS  
DESIGNED AND/OR PRODUCED. PLANS  
AND DRAWINGS ARE NOT TO BE  
REPRODUCED IN ANY FORM OR MANNER  
WITHOUT THE EXPRESSED WRITTEN  
CONSENT OF AGP.



**GENERAL NOTES**

- OCCUPANCY SENSOR LOCATIONS ARE FOR DESIGN INTENT ONLY. LOCATE OCCUPANCY SENSORS PER MANUFACTURERS WRITTEN INSTALLATION INSTRUCTIONS.
- COORDINATE EXACT LOCATIONS AND MOUNTING HEIGHTS OF LIGHT FIXTURES WITH HVAC EQUIPMENT AND OTHER DEVICES/EQUIPMENT.
- COORDINATE LIGHT SWITCHES WITH THERMOSTATS AND OTHER WALL MOUNTED DEVICES.
- COORDINATE EXTERIOR FIXTURE MOUNTING HEIGHT WITH ARCHITECT AND OWNER PRIOR TO ROUGH IN.
- NEW EXTERIOR LIGHTING SHALL BE CONTROLLED BY NEAREST EXISTING EXTERIOR LIGHTING SYSTEM VIA RELAY/CONTACTOR.

**KEYED NOTES**

- EXISTING FIXTURES SHALL BE REMOVED AND REPLACED AS SHOWN. EXISTING CIRCUITS AND CONTROLS SHALL REMAIN.
- NEW LIGHT FIXTURE SHALL BE POWERED AND CONTROLLED FROM EXISTING CORRIDOR LIGHTING. EC SHALL PROVIDE ALL WIRING, CONDUITS, AND DEVICES NECESSARY FOR NEW LIGHT FIXTURE CONNECTIONS.

**AGP**  
the Abla Griffin  
Partnership L.L.C.

201 N. BROADWAY  
SUITE 210  
MOORE, OK. 73160  
405.735.3477  
AGP@theAGP.net  
www.theAGP.net

KFC ENGINEERING

STRUCTURAL

SALAS O'BRIEN

MECHANICAL / ELECTRICAL



GT

drawn by

TVO

checked by

SEPTEMBER 2023

date

revisions

MOORE PUBLIC SCHOOLS  
BOARD OF EDUCATION  
MOORE, OKLAHOMA



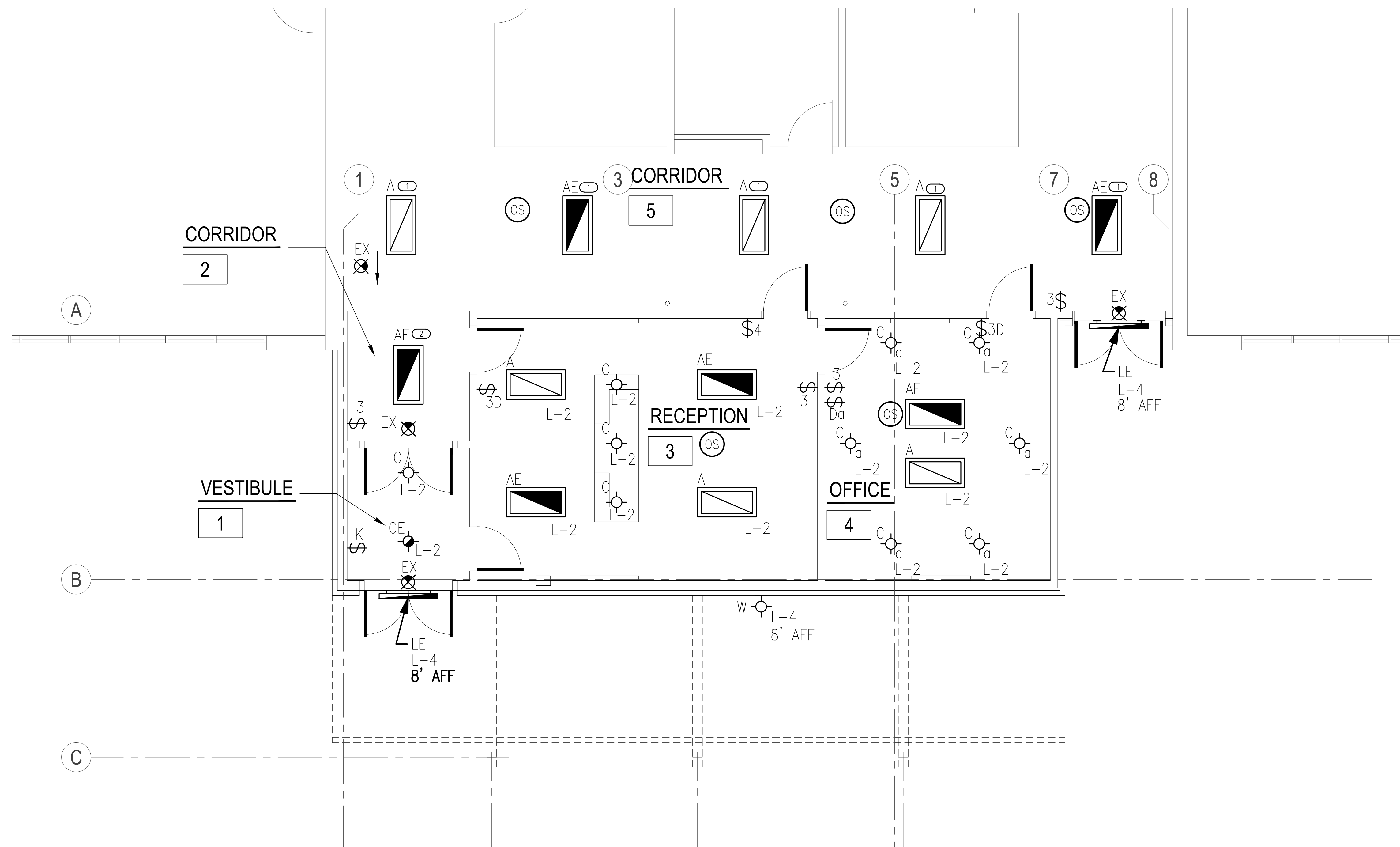
OFFICE ADDITION  
FAIRVIEW  
ELEMENTARY SCHOOL

sheet no:

**E101**

OWNERSHIP USE OF DOCUMENTS:

AGP EXPRESSLY RESERVES ITS COPYRIGHT AND OTHER PROPERTY RIGHTS OF ALL PLANS AND DRAWINGS DESIGNED AND/OR PRODUCED. PLANS AND DRAWINGS ARE NOT TO BE REPRODUCED IN ANY FORM OR MANNER WITHOUT THE EXPRESSED WRITTEN CONSENT OF AGP.



**1 ELECTRICAL LIGHTING PLAN**  
SCALE: 1/4" = 1'-0"



**Salas O'Brien**  
2600 Van Buren St., Suite 2635  
Norman, OK 73072  
Salas O'Brien Registration: CA# 7058  
Expiration Date: 6/30/2025  
Salas O'Brien Project Number: 2023-04386-00

**GENERAL NOTES**

1. COORDINATE EXACT LOCATION OF DEVICES SHOWN WITH OTHER EQUIPMENT. COORDINATE EXACT LOCATIONS OF CEILING MOUNTED DEVICES WITH LIGHTS, HVAC EQUIPMENT, AND OTHER DEVICES.
2. COORDINATE WITH MC AND PROVIDE ALL RELAYS, CONNECTIONS, AND ALL DEVICES NECESSARY TO INTERLOCK EXHAUST FANS, DAMPERS, ETC WITH PROPER CONTROL DEVICES.
3. COORDINATE EXACT LOCATIONS OF MECHANICAL EQUIPMENT WITH MECHANICAL CONTRACTOR.
4. COORDINATE EXACT LOCATIONS OF PLUMBING EQUIPMENT WITH PLUMBING CONTRACTOR.

**KEYED NOTES**

- ① PROVIDE 120V DEDICATED CONNECTION FOR COPIER/PRINTER. COORDINATE FINAL LOCATION AND REQUIREMENTS WITH ARCHITECT/OWNER PRIOR TO ROUGH-IN.

**AGP**  
the Abla Griffin  
Partnership L.L.C.

201 N. BROADWAY  
SUITE 210  
MOORE, OK. 73160  
405.735.3477  
AGP@theAGP.net  
www.theAGP.net

KFC ENGINEERING  
STRUCTURAL

SALAS O'BRIEN  
MECHANICAL / ELECTRICAL



GT  
drawn by  
TVO  
checked by  
SEPTEMBER 2023  
date  
revisions

MOORE PUBLIC SCHOOLS  
BOARD OF EDUCATION  
MOORE, OKLAHOMA



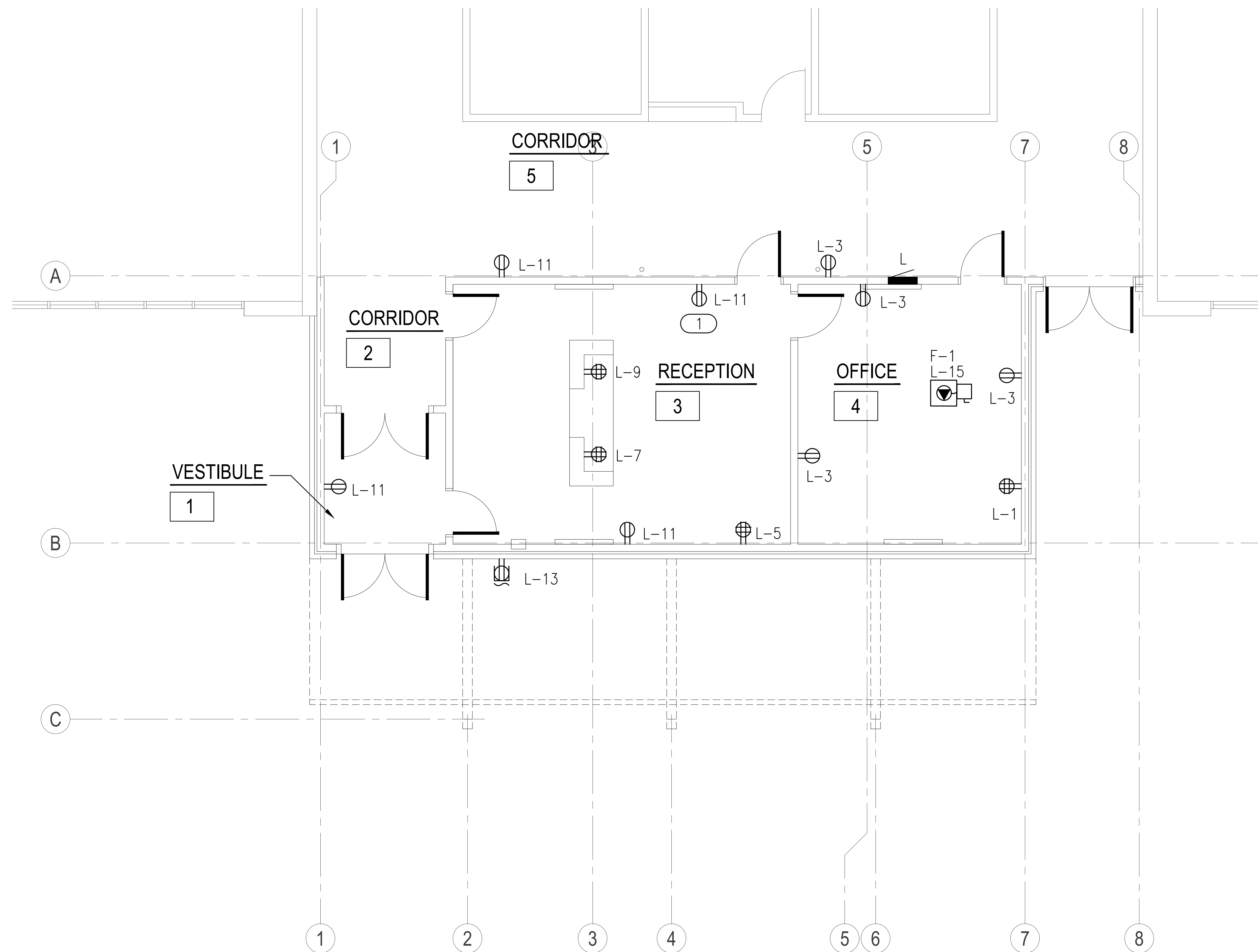
OFFICE ADDITION  
FAIRVIEW  
ELEMENTARY SCHOOL

sheet no:

**E201**

OWNERSHIP USE OF DOCUMENTS:

AGP EXPRESSLY RESERVES ITS COPYRIGHT AND OTHER PROPERTY RIGHTS OF ALL PLANS AND DRAWINGS DESIGNED AND/OR PRODUCED. PLANS AND DRAWINGS ARE NOT TO BE REPRODUCED IN ANY FORM OR MANNER WITHOUT THE EXPRESSED WRITTEN CONSENT OF AGP.



**1 ELECTRICAL POWER PLAN**  
SCALE: 1/4" = 1'-0"



**Salas O'Brien**  
2600 Van Buren St., Suite 2635  
Norman, OK 73072  
Salas O'Brien Registration: CA# 7058  
Expiration Date: 6/30/2025  
Salas O'Brien Project Number: 2023-04386-00

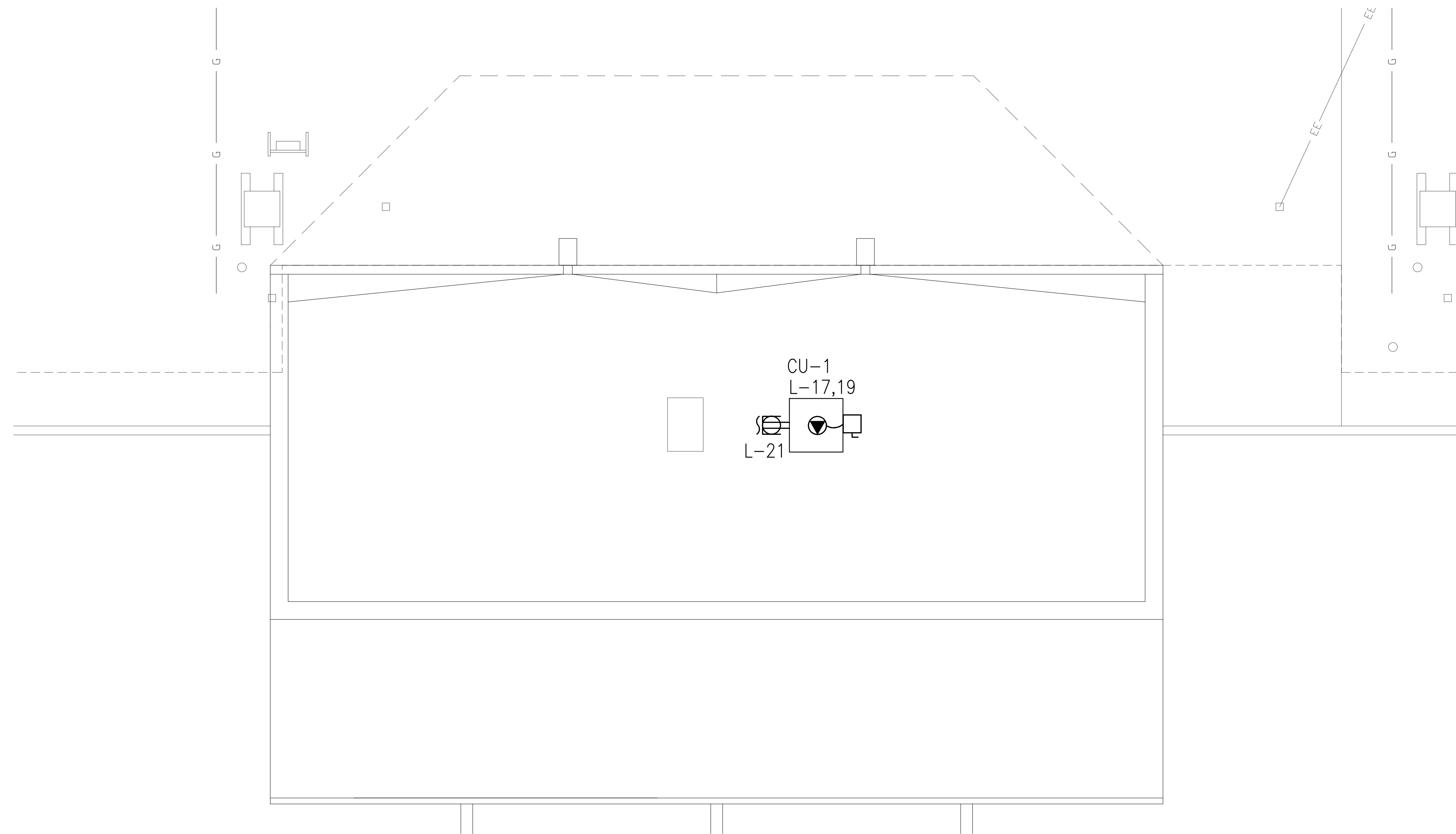
- ROOF POWER GENERAL NOTES**
1. COORDINATE EXACT LOCATIONS OF DEVICES SHOWN WITH OTHER EQUIPMENT.
  2. COORDINATE WITH MECHANICAL CONTRACTOR AND PROVIDE ALL RELAYS, CONNECTIONS, AND ALL DEVICES NECESSARY TO INTERLOCK EXHAUST FANS, DAMPERS, ETC WITH PROPER DEVICES.
  3. COORDINATE EXACT LOCATIONS OF MECHANICAL EQUIPMENT WITH MECHANICAL CONTRACTOR.
  4. FIRMLY MOUNT WEATHERPROOF 120V CONVENIENCE OUTLET ON UNISTRUT/KINDORF. COORDINATE WITH OTHER TRADES PRIOR TO ROUGH-IN.

**AGP**  
the Abla Griffin  
Partnership L.L.C.

201 N. BROADWAY  
SUITE 210  
MOORE, OK. 73160  
405.735.3477  
AGP@theAGP.net  
www.theAGP.net

KFC ENGINEERING  
STRUCTURAL

SALAS O'BRIEN  
MECHANICAL / ELECTRICAL



GT

drawn by

TVO

checked by

SEPTEMBER 2023

date

revisions

MOORE PUBLIC SCHOOLS  
BOARD OF EDUCATION  
MOORE, OKLAHOMA



OFFICE ADDITION  
FAIRVIEW  
ELEMENTARY SCHOOL

sheet no:

**E202**

**1 ELECTRICAL POWER PLAN - ROOF**  
SCALE: 1/4" = 1'-0"



**Salas O'Brien**  
2600 Van Buren St., Suite 2635  
Norman, OK 73072  
Salas O'Brien Registration: CA# 7058  
Expiration Date: 6/30/2025  
Salas O'Brien Project Number: 2023-04386-00

OWNERSHIP USE OF DOCUMENTS:  
AGP EXPRESSLY RESERVES ITS  
COPYRIGHT AND OTHER PROPERTY  
RIGHTS OF ALL PLANS AND DRAWINGS  
DESIGNED AND/OR PRODUCED. PLANS  
AND DRAWINGS ARE NOT TO BE  
REPRODUCED IN ANY FORM OR MANNER  
WITHOUT THE EXPRESSED WRITTEN  
CONSENT OF AGP.





GT  
drawn by  
TVO  
checked by  
SEPTEMBER 2023  
date  
revisions

MOORE PUBLIC SCHOOLS  
BOARD OF EDUCATION  
MOORE, OKLAHOMA



OFFICE ADDITION  
FAIRVIEW  
ELEMENTARY SCHOOL

sheet no:

## E401

OWNERSHIP USE OF DOCUMENTS:

AGP EXPRESSLY RESERVES ITS COPYRIGHT AND OTHER PROPERTY RIGHTS OF ALL PLANS AND DRAWINGS DESIGNED AND/OR PRODUCED. PLANS AND DRAWINGS ARE NOT TO BE REPRODUCED IN ANY FORM OR MANNER WITHOUT THE EXPRESSED WRITTEN CONSENT OF AGP.

FEEDER SCHEDULE				
AMPS	CONDUIT SIZE 4W	CONDUIT SIZE 3W	PHASE CONDUCTORS	EQUIP. GROUND CONDUCTORS
20	3/4"	3/4"	#12	#12
25	3/4"	3/4"	#10	#10
30	3/4"	3/4"	#10	#10
35	1"	3/4"	#8	#10
40	1"	3/4"	#8	#10
45	1"	1"	#6	#10
50	1"	1"	#6	#10
60	1 1/4"	1 1/4"	#4	#10
70	1 1/4"	1 1/4"	#4	#8
80	1 1/4"	1 1/4"	#2	#8
90	1 1/2"	1 1/4"	#2	#8
100	1 1/2"	1 1/2"	#1	#8
110	2"	1 1/2"	#1	#6
125	2"	1 1/2"	#1/0	#6
150	2"	1 1/2"	#1/0	#6
175	2"	2"	#2/0	#6
200	2"	2"	#3/0	#6
225	2 1/2"	2"	#4/0	#4
250	3"	2 1/2"	250 kcmil	#4
300	3"	3"	350 kcmil	#4
350	3 1/2"	3"	500 kcmil	#3
400	(2) 2"	(2) 2"	2 SETS OF #3/0	#3

NOTES:  
1. FEEDER SIZES ARE ON THE PLAN WHERE 60 REFERS TO A 60A FEEDER WITHOUT NEUTRAL AND 60N REFERS TO A 60A FEEDER WITH NEUTRAL.  
2. SOME FEEDER SIZES DO NOT MATCH BREAKER SIZE DUE TO UP-SIZING OF THE FEEDER FOR VOLTAGE DROP.  
3. CONDUITS ARE SIZED PER NEC TABLES FOR THHN/THWN AND MAY BE UPSIZED FOR EASE OF PULLING OR DOWNSIZED AS ALLOWED PER NEC FOR CONDUIT TYPE(S) BEING INSTALLED.  
4. ALL CONDUCTORS 100A AND LESS ARE SIZED PER 60 DEGREE LUGS, EC MAY SIZE CONDUCTORS FOR ACTUAL RATING OF LUGS PER NEC.

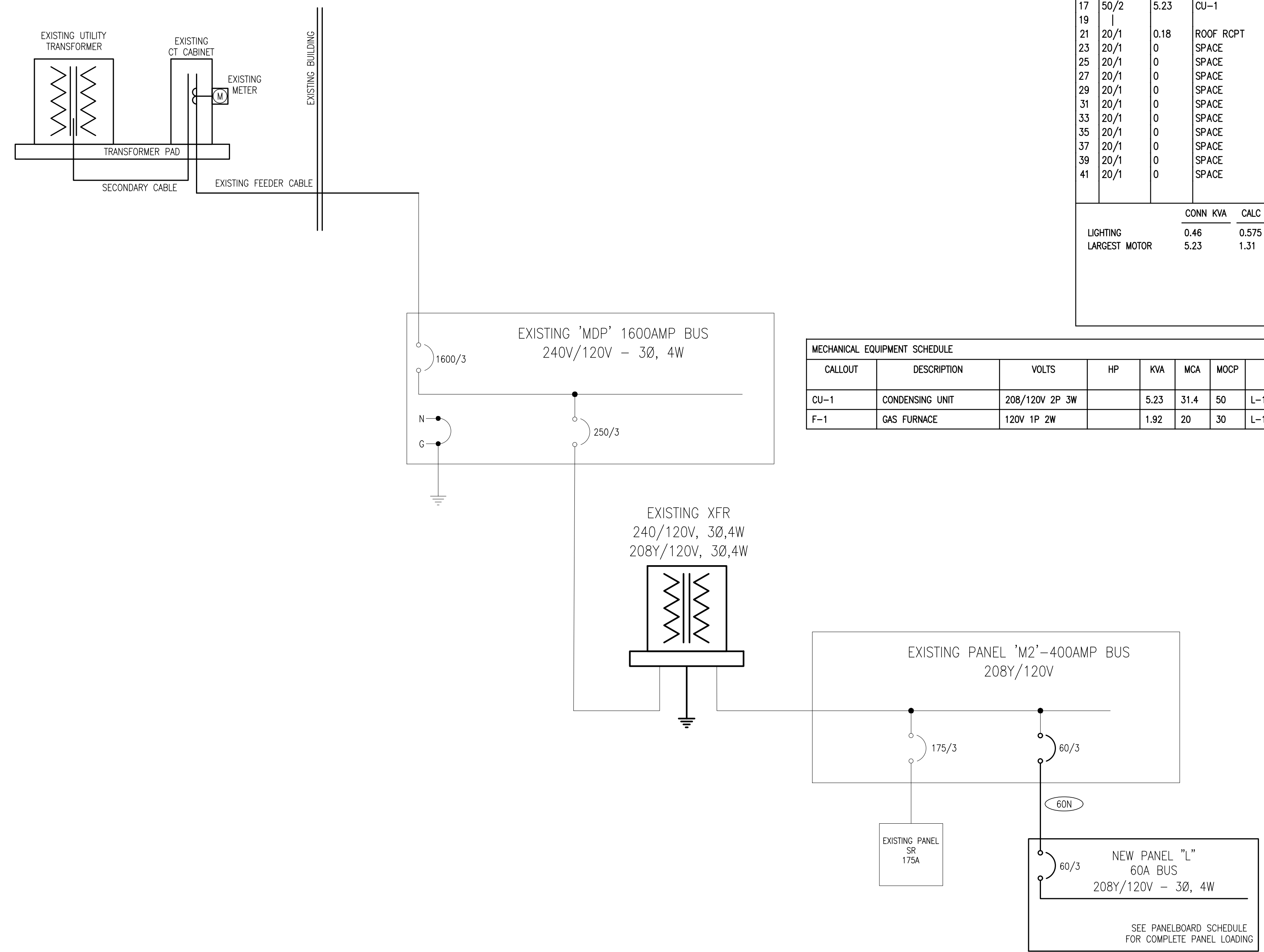
EXISTING LOAD ANALYSIS	
EXISTING PANEL 'MDP' LOAD ANALYSIS:	
PEAK LOAD ASK REPORTED BY UTILITY: 529.44/PHASE (220KVA)	
529.44*1.25 (PER NEC 220.87) = 661.5A/PHASE (274.8KVA)	
+DESIGN LOAD = ~695.5A/PHASE(289.1KVA)	
-> ~695.5A (289.1KVA) MAX ON THE PANEL 'MDP' 1600A.	

- GENERAL NOTES**
- THE EXISTING LOAD FOR PANEL 'M2' WAS UNABLE TO BE VERIFIED DURING DESIGN, EC SHALL PERFORM A 30 DAY LOAD STUDY ON THE PANEL PRIOR TO PERFORMING ANY WORK IN ORDER TO DETERMINE THE EXISTING PEAK LOAD IN ACCORDANCE WITH NEC 220.87 (1). FINAL RESULTS SHALL BE REPORTED TO THE ENGINEER PRIOR TO BEGINNING WORK.
  - AIC RATINGS ARE ESTIMATED BASED ON AVAILABLE DATA DURING DESIGN. CONTRACTOR TO VERIFY AVAILABLE FAULT CURRENT WITH UTILITY.
  - FAULT CURRENT, ARC FLASH, AND COORDINATION STUDY SHALL BE PERFORMED BY A THIRD PARTY ONCE EXACT PANEL PLACEMENT AND DISTANCES ARE DETERMINED. REFER TO SPECIFICATIONS SECTION 26 0573 FOR MORE INFORMATION.
  - PROVIDE A MINIMUM OF 10 SPARE 1P20A BREAKERS FOR EACH 120V SUB-PANEL.

Panel		ROOM	CORRIDOR 5	VOLTS	208Y/120V 3P 4W	AIC	65,000	
		MOUNTING	RECESSED	BUS AMPS	60	MAIN BKR	60	
		FED FROM	MDP	NEUTRAL	100%	LUGS	STANDARD	
		NOTE	NEW					
CKT #	CKT BKR	LOAD KVA	CIRCUIT DESCRIPTION	CKT #	CKT BKR	LOAD KVA	CIRCUIT DESCRIPTION	
1	20/1	0.36	ROOM 4 RCPT	a	2	20/1	0.365	L LIGHTING
3	20/1	0.72	ROOM 4,5 RCPT	b	4	20/1	0.095	LIGHTING
5	20/1	0.36	ROOM 3 RCPT	c	6	20/1	0	SPACE
7	20/1	0.36	ROOM 3 RCPT	a	8	20/1	0	SPACE
9	20/1	0.36	ROOM 3 RCPT	b	10	20/1	0	SPACE
11	20/1	0.72	ROOM 1,3,5 RCPT	c	12	20/1	0	SPACE
13	20/1	0.18	EXTERIOR RCPT	a	14	20/1	0	SPACE
15	30/1	1.92	F-1	b	16	20/1	0	SPACE
17	50/2	5.23	CU-1	c	18	20/1	0	SPACE
19	1			a	20	20/1	0	SPACE
21	20/1	0.18	ROOF RCPT	b	22	20/1	0	SPACE
23	20/1	0	SPACE	c	24	20/1	0	SPACE
25	20/1	0	SPACE	a	26	20/1	0	SPACE
27	20/1	0	SPACE	b	28	20/1	0	SPACE
29	20/1	0	SPACE	c	30	20/1	0	SPACE
31	20/1	0	SPACE	a	32	20/1	0	SPACE
33	20/1	0	SPACE	b	34	20/1	0	SPACE
35	20/1	0	SPACE	c	36	20/1	0	SPACE
37	20/1	0	SPACE	a	38	20/1	0	SPACE
39	20/1	0	SPACE	b	40	20/1	0	SPACE
41	20/1	0	SPACE	c	42	20/1	0	SPACE

	CONN KVA	CALC KVA		CONN KVA	CALC KVA
LIGHTING	0.46	0.575	(125%)	7.15	7.15
LARGEST MOTOR	5.23	1.31	(25%)	3.24	3.24
					(50%>10)
TOTAL LOAD				12.3	
BALANCED 3-PHASE LOAD				34 A	
PHASE A				109%	
PHASE B				86%	
PHASE C				105%	

MECHANICAL EQUIPMENT SCHEDULE											
CALLOUT	DESCRIPTION	VOLTS	HP	KVA	MCA	MOCP	CIRCUIT	WIRE CALLOUT	DISCONNECT	DISC PROV BY	DISC INST BY
CU-1	CONDENSING UNIT	208/120V 2P 3W		5.23	31.4	50	L-17,19	3/4"C,2#8,#8N,#10G	NON-FUSED	MC	EC
F-1	GAS FURNACE	120V 1P 2W		1.92	20	30	L-15	3/4"C,1#12,#12N,#12G	NON-FUSED	MC	EC



### 1 ELECTRICAL ONE - LINE DIAGRAM

NO SCALE



GT  
drawn by  
TVO  
checked by  
SEPTEMBER 2023  
date  
revisions

MOORE PUBLIC SCHOOLS  
BOARD OF EDUCATION  
MOORE, OKLAHOMA



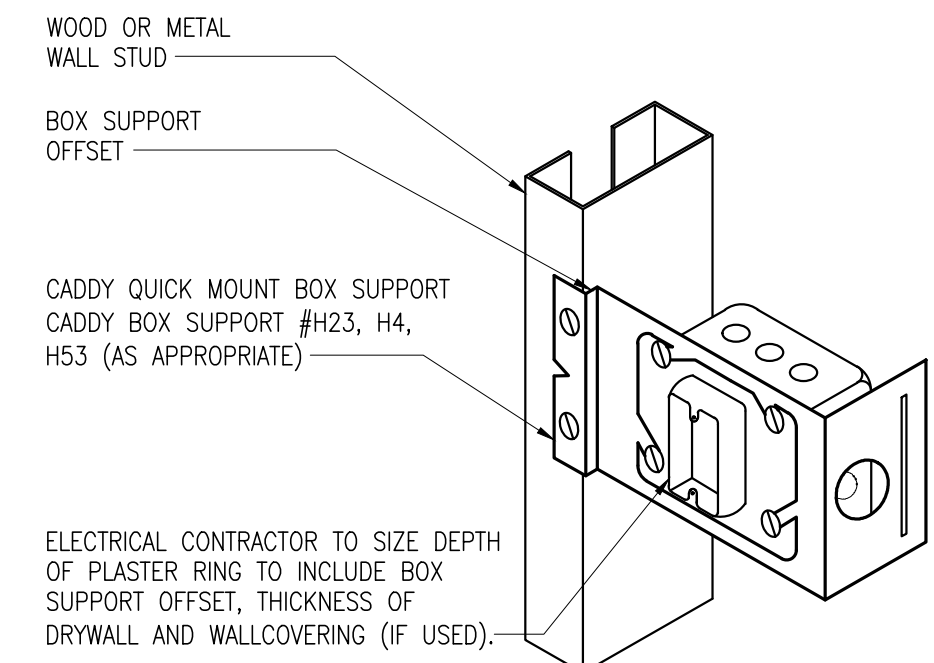
OFFICE ADDITION  
FAIRVIEW  
ELEMENTARY SCHOOL

sheet no:

## E501

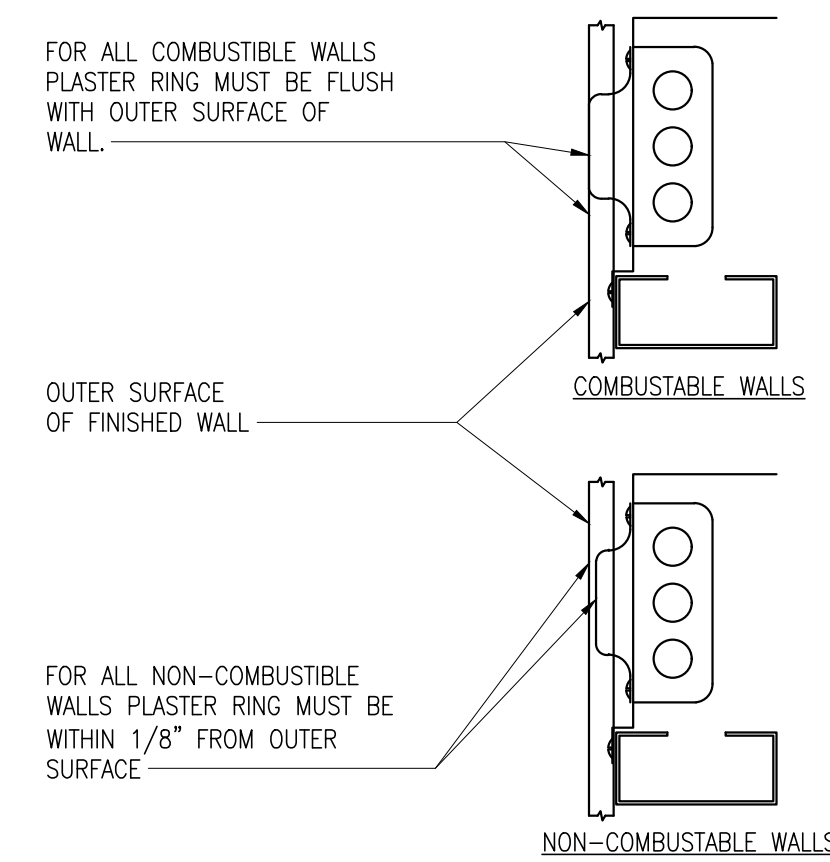
OWNERSHIP USE OF DOCUMENTS:  
AGP EXPRESSLY RESERVES ITS COPYRIGHT AND OTHER PROPERTY RIGHTS OF ALL PLANS AND DRAWINGS DESIGNED AND/OR PRODUCED. PLANS AND DRAWINGS ARE NOT TO BE REPRODUCED IN ANY FORM OR MANNER WITHOUT THE EXPRESSED WRITTEN CONSENT OF AGP.

**Salas O'Brien**  
2800 Van Buren St., Suite 2635  
Norman, OK 73072  
Salas O'Brien Registration: CA# 7058  
Expiration Date: 6/30/2025  
Salas O'Brien Project Number: 2023-04386-00

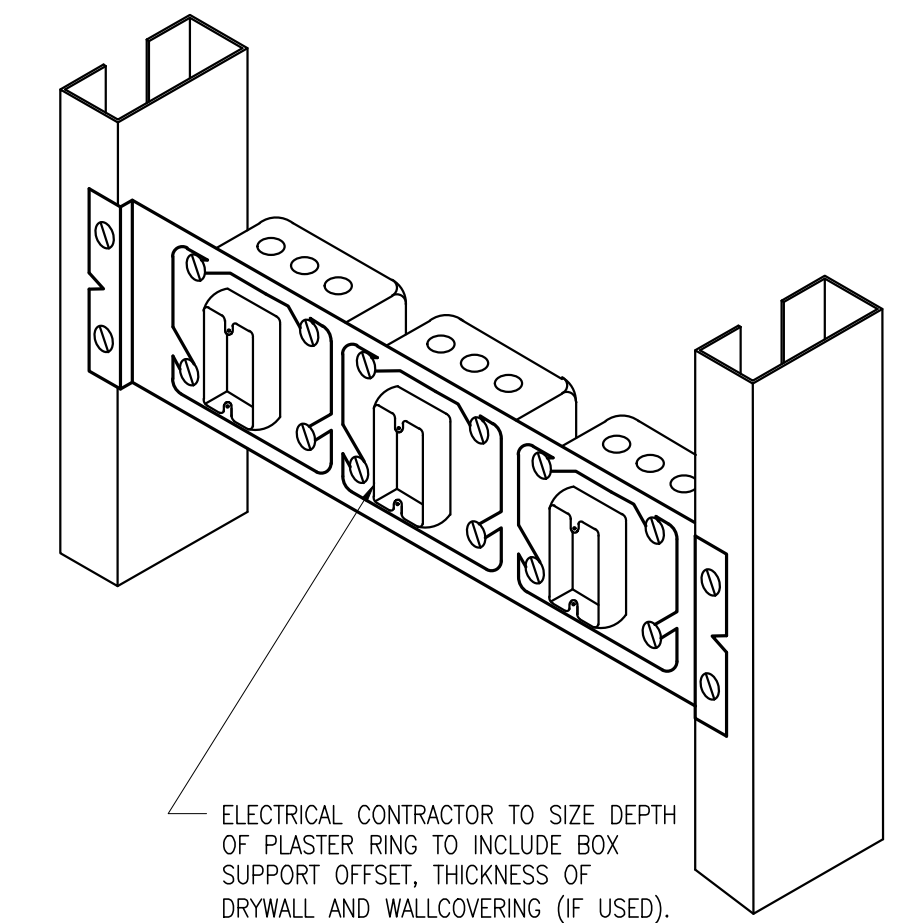


ELECTRICAL CONTRACTOR TO SIZE DEPTH OF PLASTER RING TO INCLUDE BOX SUPPORT OFFSET, THICKNESS OF DRYWALL AND WALLCOVERING (IF USED).

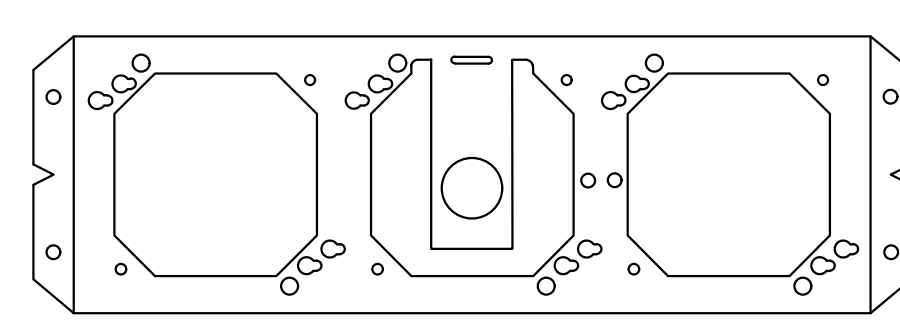
SOME EXAMPLES:  
- 3/4" PLASTER RING FOR SINGLE LAYER 5/8" GYPSUM BOARD WALL FINISH  
- 1" PLASTER RING FOR TWO LAYER WALL FINISH 1/2" OVER 1/4"



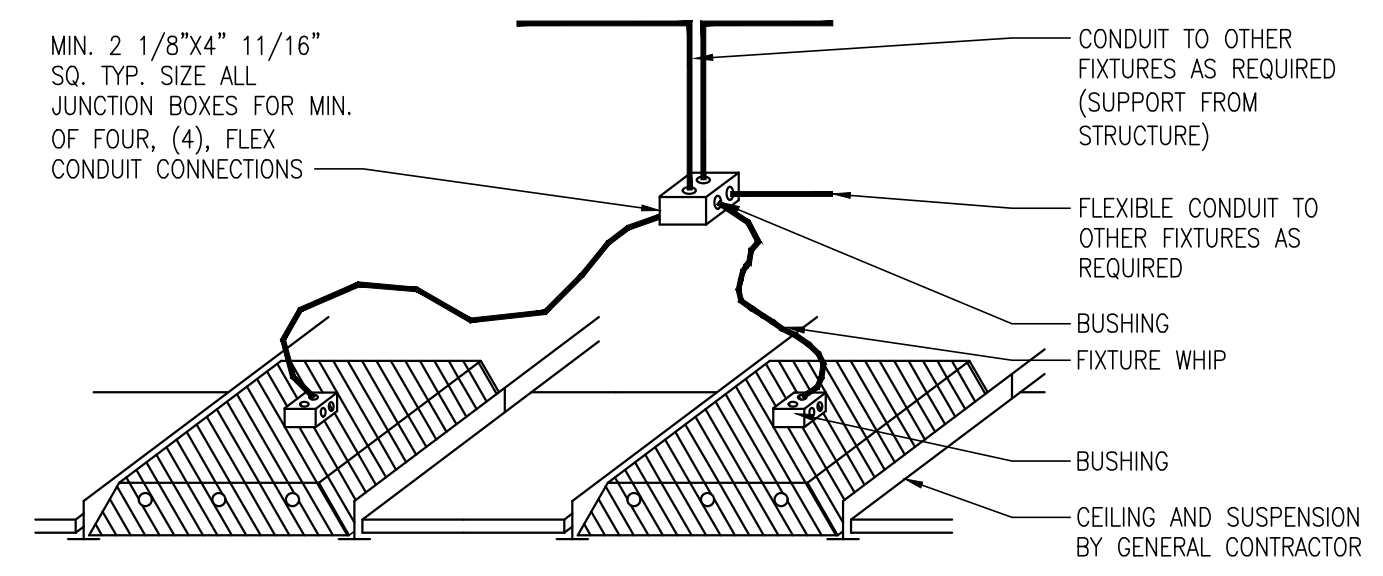
**1 BOX SUPPORT DETAIL**  
NO SCALE



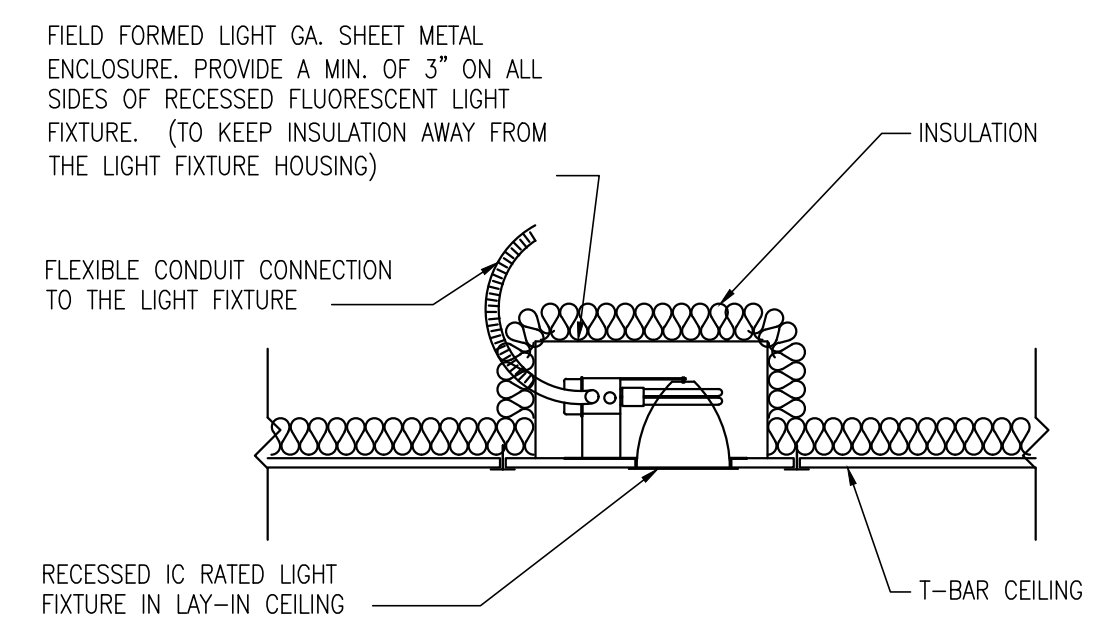
SOME EXAMPLES:  
- 3/4" PLASTER RING FOR SINGLE LAYER 5/8" GYPSUM BOARD WALL FINISH  
- 1" PLASTER RING FOR TWO LAYER WALL FINISH 1/2" OVER 1/4"



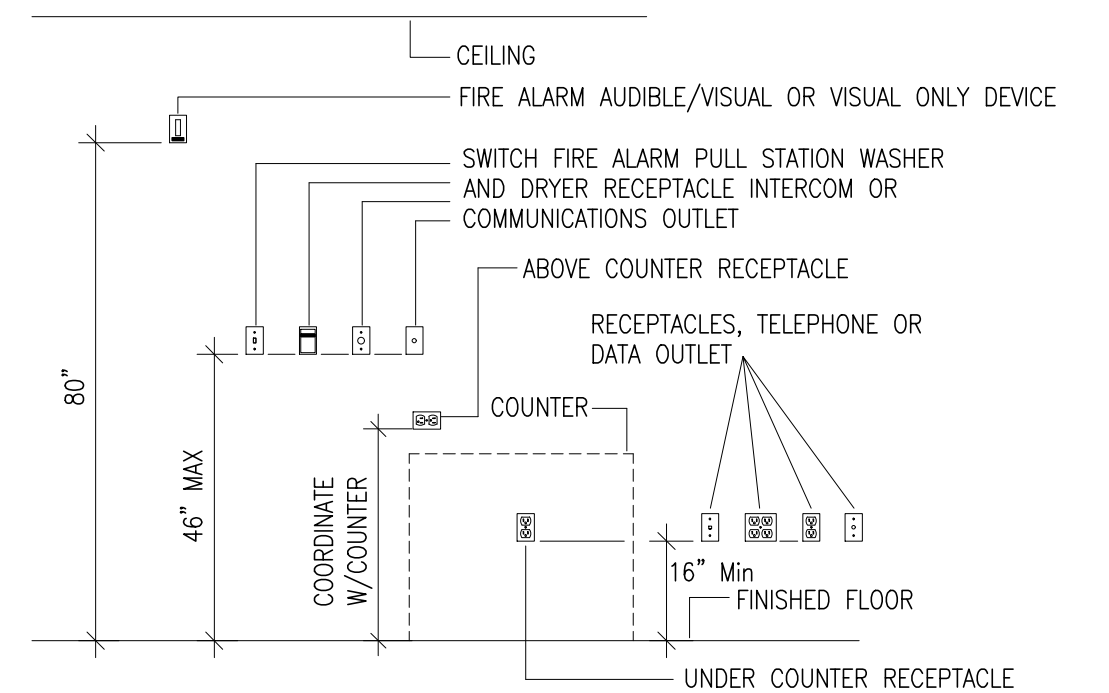
**2 MULTIPLE BOX SUPPORT DETAIL**  
NO SCALE



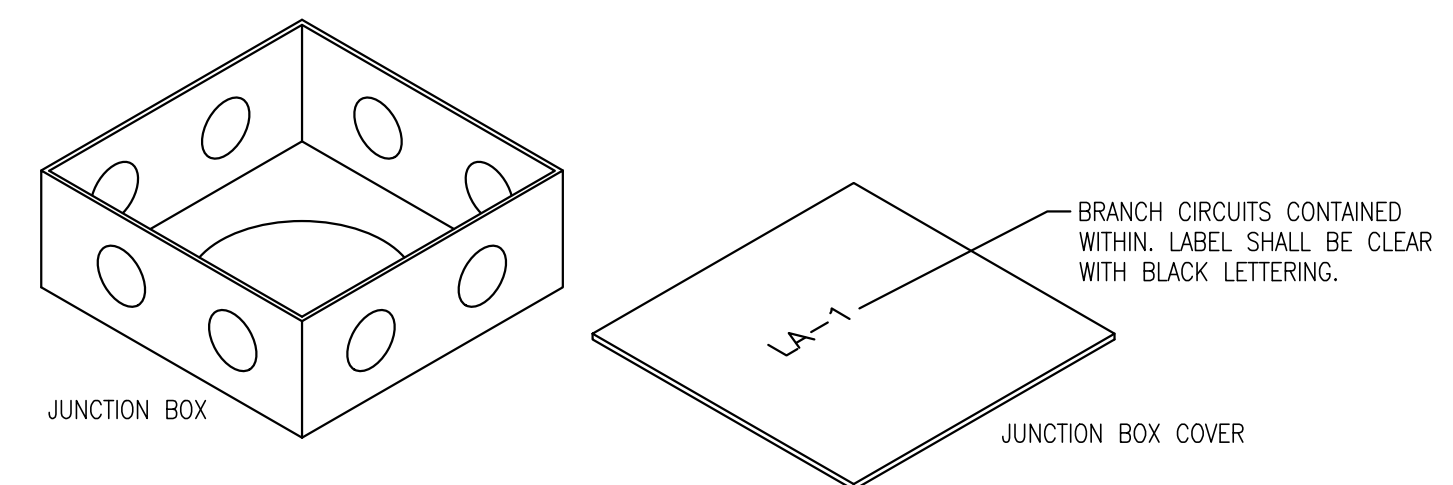
**3 TYP. TROFFER POWER DETAIL**  
NO SCALE



**4 IC LIGHT FIXTURE DETAIL**  
NO SCALE



**5 TYP OUTLET MOUNTING DETAIL**  
NOT TO SCALE



**6 JUNCTION BOX DETAIL**  
NO SCALE

**Salas O'Brien**  
2800 Van Buren St., Suite 2635  
Norman, OK 73072  
Salas O'Brien Registration: CA# 7058  
Expiration Date: 6/30/2025  
Salas O'Brien Project Number: 2023-04386-00